

Instructions

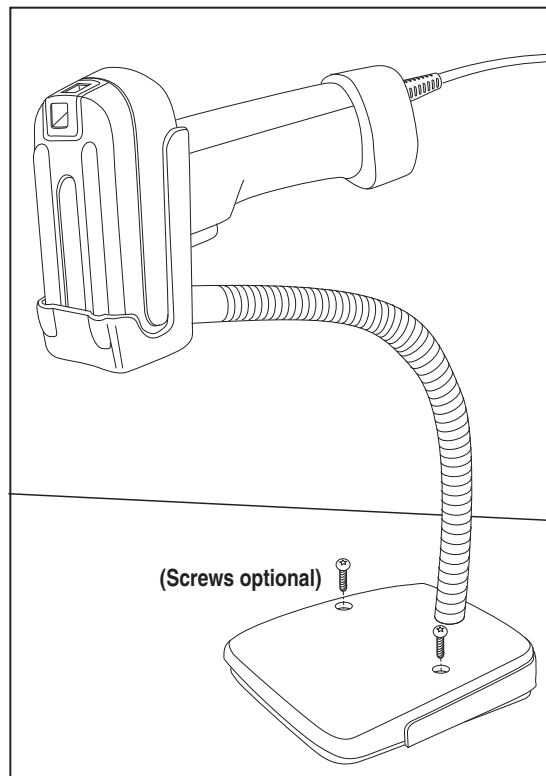
Hands Free Stand

Installing the Stand

1. Determine the best location to position the stand. Some considerations are:
 - Proximity to the host. Verify that the stand will be placed within a reasonable distance of the host, and that any cabling can be routed between the devices without kinking, stretching or exposing cabling to tampering or other potential damage.
 - Stability. Avoid positioning the stand in such a way as to subject it to excess vibration, bumping, spillage, etc.
 - Ergonomics. Ensure the user can easily adjust the angle of the imager to maximize comfort and efficiency.
2. The stand's weighted base and traction "feet" allow it to be a stable freestanding unit, however, if you wish to permanently attach it to a table or countertop, use the template provided to locate and mark the position of the screw holes needed to secure the stand.

Using the Stand

Seat the imager in the holder as shown and route cabling as necessary. Adjust the flexible gooseneck as desired. Proceed to the next section to program the imager for hands-free function while in the stand.



PowerScan[®] 7000

Selecting the Scan Mode for Stand Operation

Enable the imager for use with the stand by scanning your choice from among the barcodes below which set the scanning mode for the PowerScan 7000. To configure the “Stand Mode” for the PowerScan PD7100, go to the next page.

All Scan Mode selections are provided here, for your convenience in quickly configuring the imager for use with or without the stand. For more information and programmable features, reference the Product Reference Guide (PRG). Below are descriptions of Scan Mode options:

- Stand — No trigger pull is required to read a barcode while in this mode. Scanning is turned on automatically (auto-sense) when an item is placed in the scanner's field of view and is turned off again when a barcode is read or Active Scanning Time¹ has expired. The Double Read Timeout¹ feature gates double reads while in this mode. If the trigger is pulled, the scanner acts as if it is in single read mode.



Select Stand Mode



Upon exiting Single Read mode while Stand Mode is enabled, the software will delay 2 seconds before beginning its auto-sense operation.

NOTE

- Stand With Illumination — Same as the option above, except that illumination is on while in this mode.



Select Stand With Illumination Mode

- Single — When the trigger is pulled, scanning is activated until Active Scanning Time¹ has elapsed or a barcode has been read or the trigger is released.



Select Single Mode

- Triggerless — When the trigger is pulled, scanning is activated until any of the following occur:
 - Active Scanning Time¹ has expired
 - a barcode has been read
 - the trigger is pulled a second time



Select Triggerless Mode

1. Active Scanning Time and Double Read Timeout durations are set using the programming barcodes in the PRG.

PowerScan® PD7100

Selecting the Scan Mode for Stand Operation

Enable the reader for use with the stand by scanning your choice from among the barcodes below which set the scanning mode for the PowerScan PD7100. To configure the “Stand Mode” for the PowerScan 7000, go to the previous page.

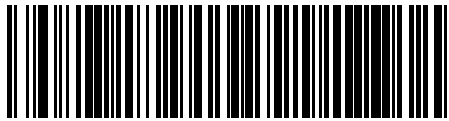
Most Scan Mode selections are provided here, for your convenience in quickly configuring the reader for use with or without the stand. For more information and programmable features, reference the Product Reference Guide (PRG). Below are descriptions of Scan Mode options:

- Stand Mode — No trigger pull is required to read a barcode. Scanning is turned on automatically when an item is placed in reader’s field of view. If the trigger is pulled, the reader acts as if in single read mode. Double Read Timeout1 prevents undesired multiple reads while in this mode.



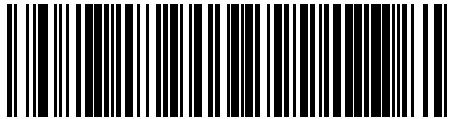
Select Stand Mode

- Trigger Object Sense — This mode is similar to Stand Mode, except that a trigger pull is required to activate the decoder.



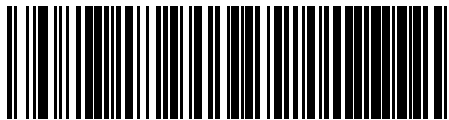
Select Trigger Object Sense Mode

- Trigger Single — When the trigger is pulled, scanning is activated until one of the following occurs: 1) Scanning Active Time has elapsed, 2) a label has been read, or 3) the trigger is released. This mode is associated with typical handheld reader operation: when the trigger is pulled, scanning starts and the product scans until the trigger is released, or a label is read, or the maximum Scanning Active Time has elapsed.



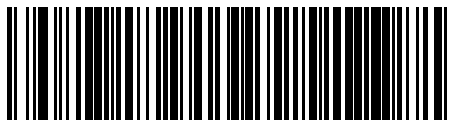
Select Trigger Single Mode

- Flashing — The reader flashes on and off regardless of the trigger status. Flash rate is controlled by Flash On Time and Flash Off Time.



Select Flashing Mode

- Always On — No trigger pull is required to read a barcode. Scanning is continually on. If the trigger is pulled, the reader acts as if in Trigger Single Mode. Double Read Timeout1 prevents undesired multiple reads while in this mode.



Select Always On Mode

Screw Location Template

